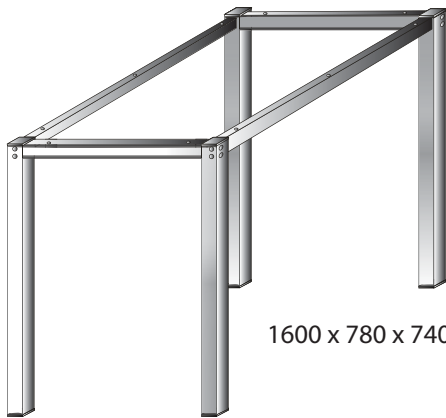
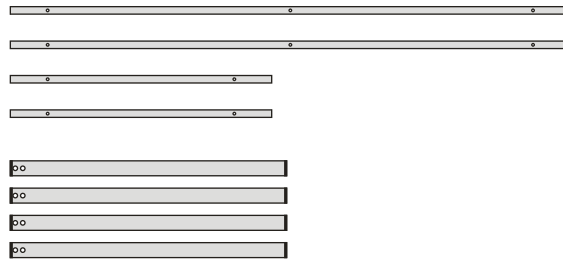


METAL TABLE-FRAMES

Table-frame, loose components for screw-assembling (hardware included)



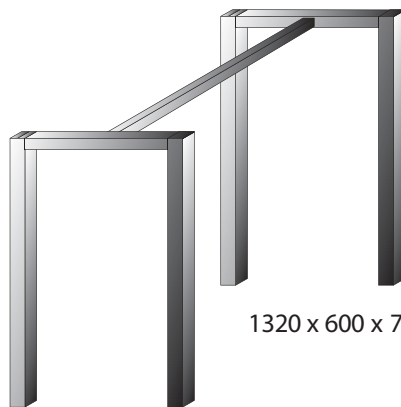
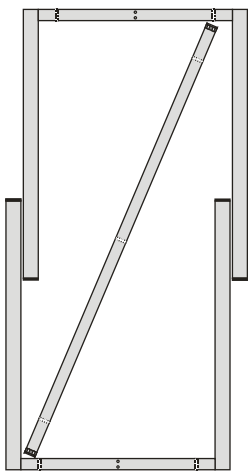
1600 x 780 x 740 H



Material:
Finish:

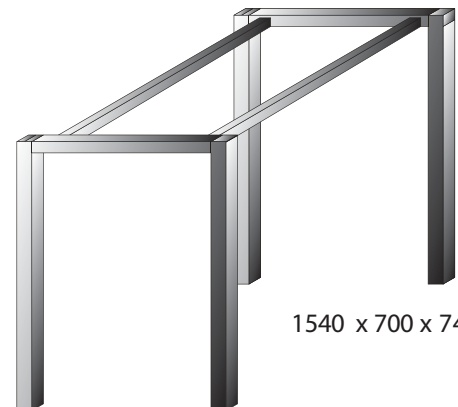
Steel square tubes, e.g. 30 x30 or 40 x 40 mm
powder coating (e.g. RAL 9006)

Table-frame, legs pre-assembled/welded (U-shape)
Crossbar/s separately (Flat-packing)



1320 x 600 x 740 H

Example of table with 1 cross-bar



1540 x 700 x 740 H

Example of table with 2 cross-bars



Glass-table with wheels

The shown models are examples of tables which can be realised as OEM-product with industrial serial production.

We are looking forward to receiving your inquiries for tables according to your request.

If desired, we can complete the tables with glass-/wood Table-top.