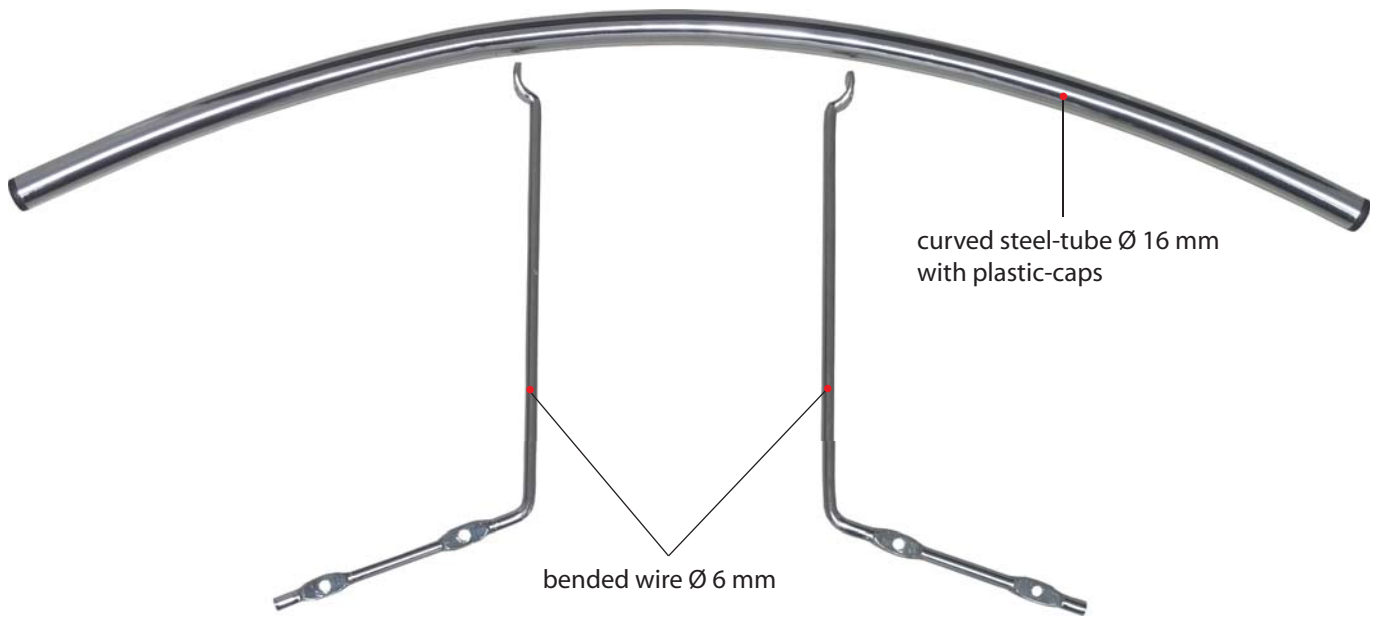


Towel-holder, railing for wash-basin (acc. to customer drawing)



curved steel-tube Ø 16 mm
with plastic-caps

bended wire Ø 6 mm

Art. 350001.001

Art. 571184 + 571185 + 571186



Heavy hinge, 3-parts
according to customer-drawing,
steel powdercoated

Folding-door hinge, cranked
50 x 50 mm, steel black zinc-plated



Art. 230030.101

Folding-door hinge, straight
50 x 42mm, steel zinc-plated



Art.-Nr.: 230030.002

Hinge with irregular flanges,
with cranking



Art. 230100.001