



Wardrobe-Lift **LIFT 10**,

Aluminium-execution, tubes made of anodized aluminium with rip-design, plastic-parts silver lacquered, with oil-damping-system for soft lowering of clothes and for support during lifting of clothes into the cabinet.

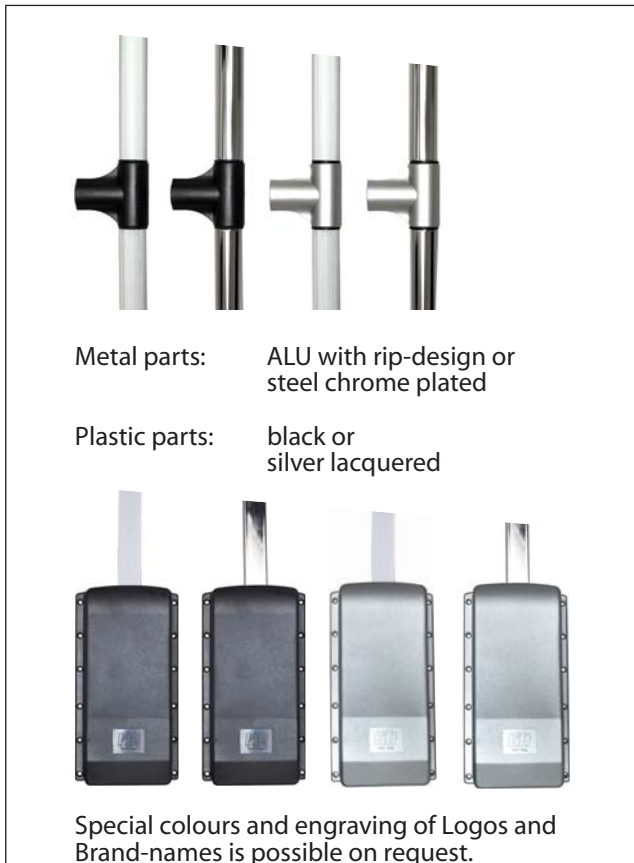
Fixing directly onto the side-panels inside the cabinet.
Allows the comfortable use of inner-space which normally can be only hardly reached.

Loading-capacity max. 10 kgs.

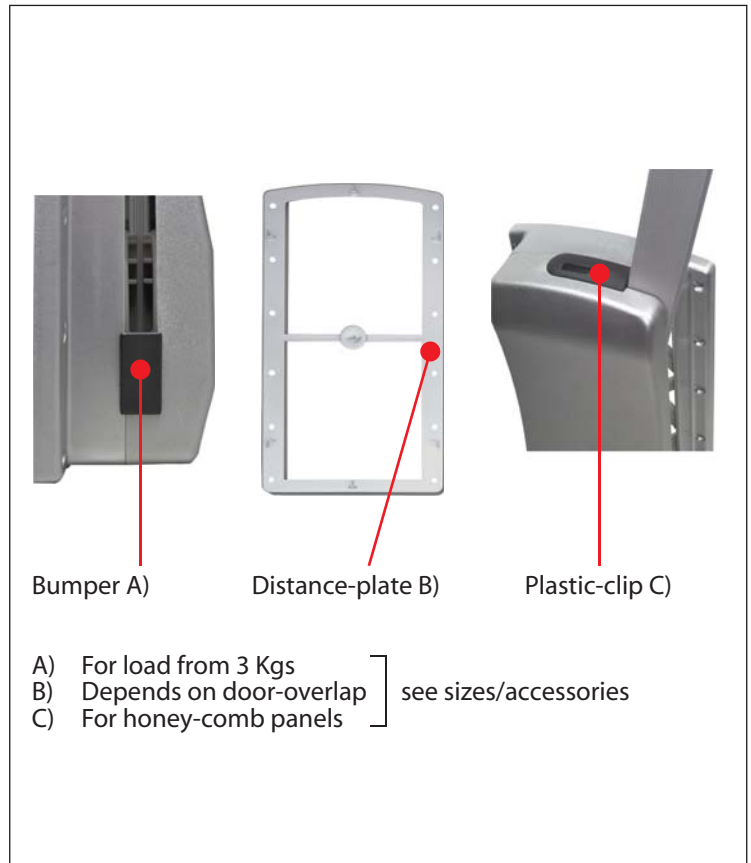
Packing: 870 x 180 x 100 mm
Unit: 6 Set per box
Weight: 2,9 kg per set

Standard sizes			
Size 1	Size 2	Size 3	Size 4
450 – 600	600 – 830	720 – 980	830 – 1150
Art.	Art.	Art.	Art.
LIM450600	LIM600830	LIM720980	LIM 8301150
Colour-/Material-combinations			
ALU/plastic	silver/silver	silver/black	
steel/plastic	chrome/silver	chrome/black	

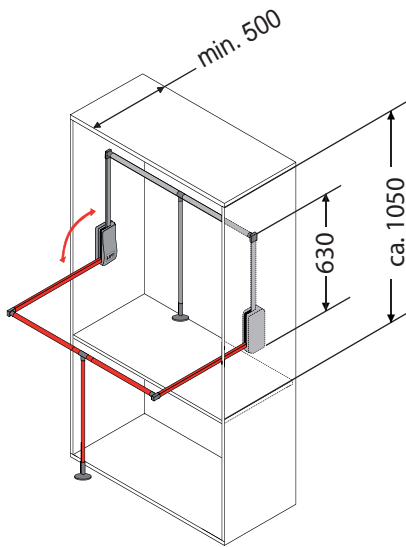
Colour-/Material-combinations



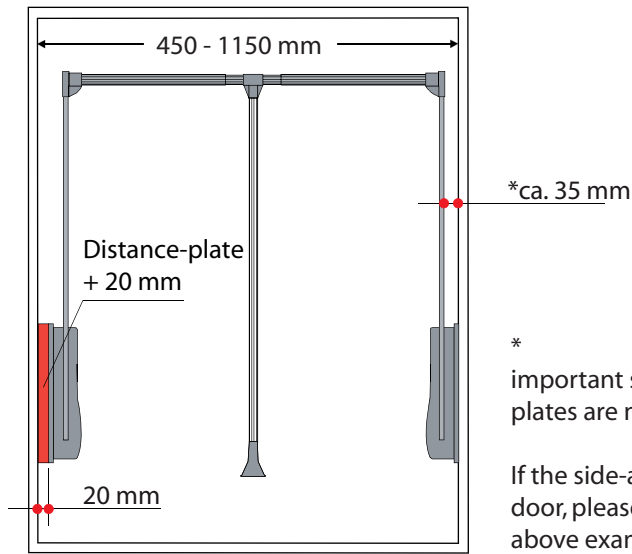
Accessories:



Required space



Distance-plates (optional)



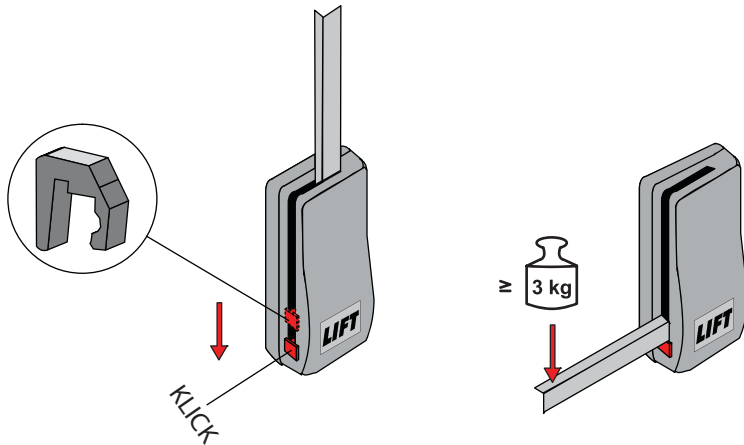
Art. PLM4501150.001 (SW)
Art. PLM4501150.501 (SIL)



*
important size for determination if distance-plates are needed.

If the side-arms may touch the hinges of the door, please use the distance-plates, see above example

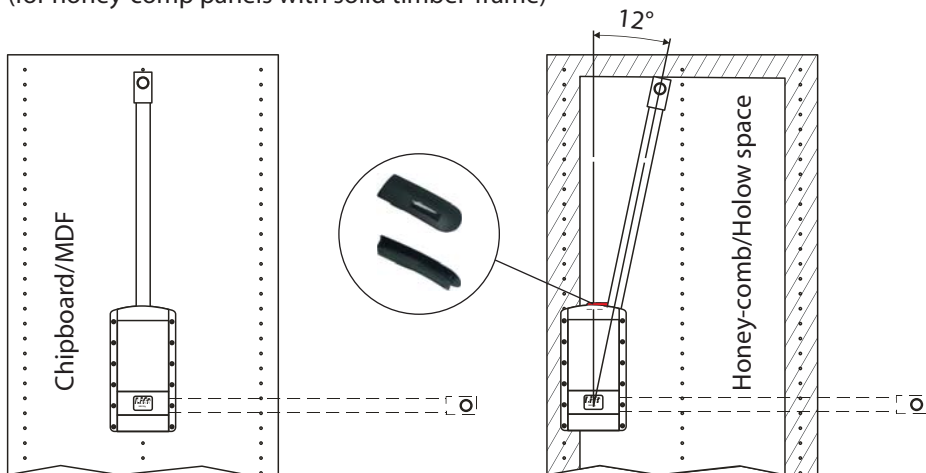
Mounting of bumper (included in standard-packing)



Bumper,
Suggested for loads exceeding 3 Kgs

Limitation of course (optional)

(for honey-comp panels with solid timber-frame)



Not necessary with chipboard/solid wood. Fixing on centre of panel.

Limitation with plastic-clip.
LIFT can be shifted backwards and fixed onto the solid frame.

Art. STSTOPPER.001

